

Stop stealing our forests!

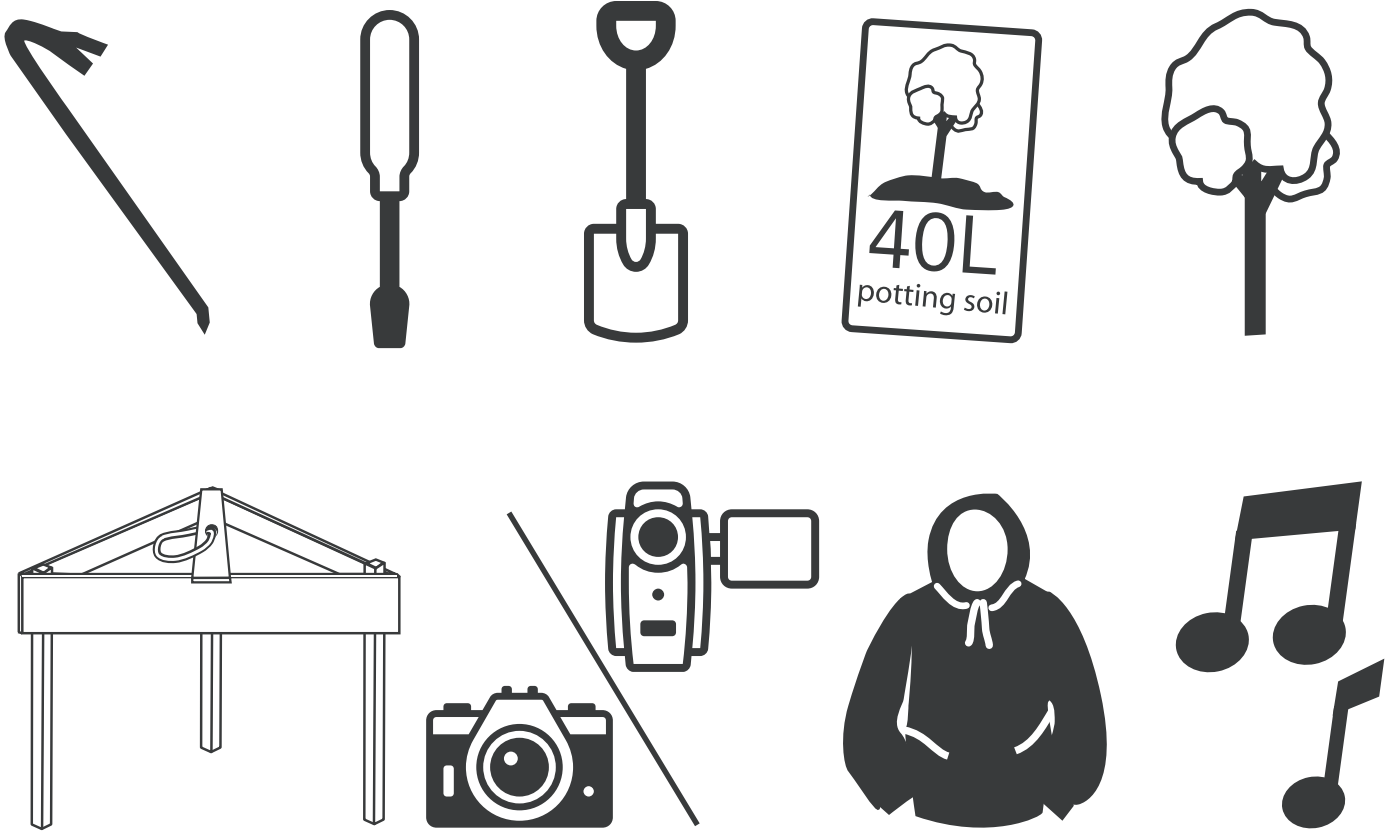
DO IT YOURSELF



Do it yourself: Plant a tree

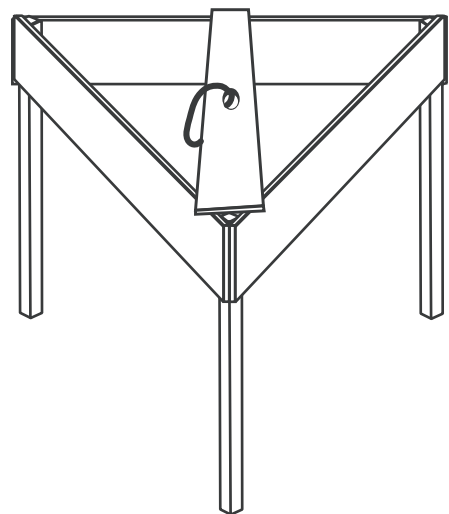
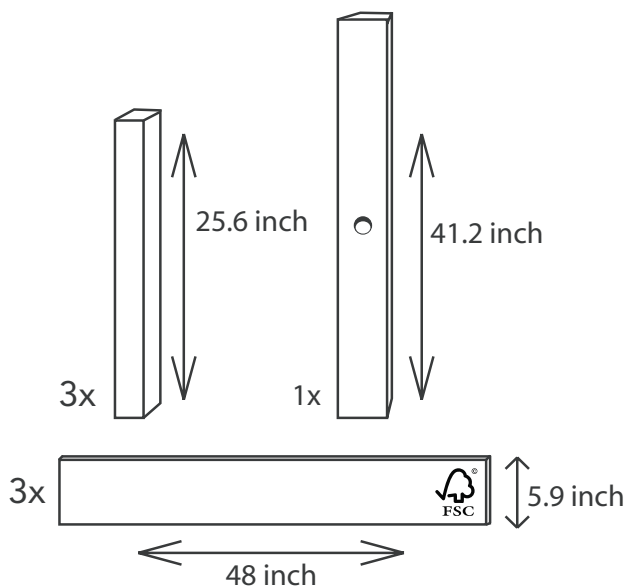
Want to take a stand against illegal logging? Join the worldwide movement and plant an illegal tree yourself.

This is what you'll need:



- * We've designed a hoodie with our action ape on the front, especially for this action. You can order it on our website.
- * You can download the video background music from the website.

step 1. Put the fence together



Place the piece of wood in the middle for a strong construction. Make a hole in the middle of the slat 24 inch from the point. Put a piece of rope through the hole to tie the tree to.

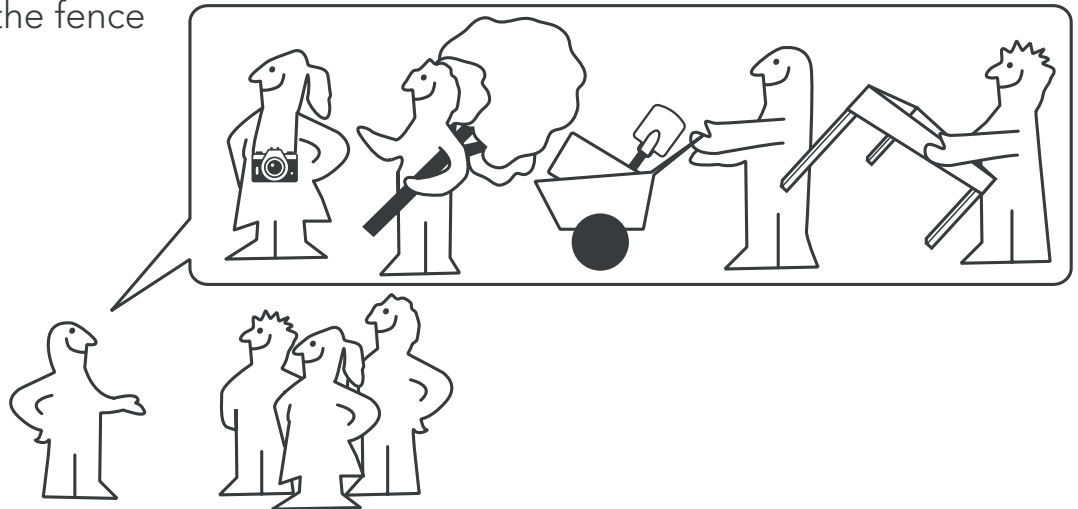
step 2. Get a few friends to help you

a cameraperson

someone to carry the tree

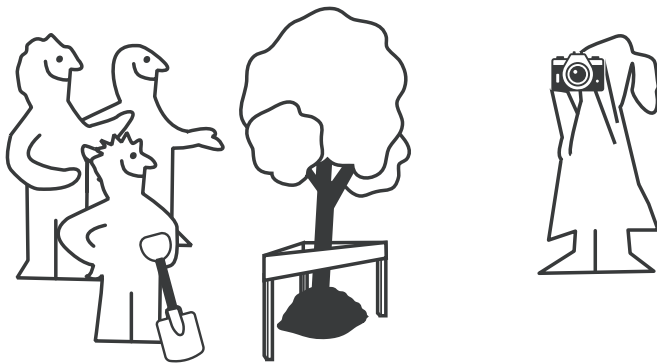
someone to push the wheelbarrow

someone to carry the fence

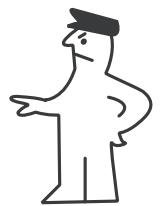


step 3. Plant the tree

Walk, bike or drive to your chosen location. Remove a few paving stones and dig a hole. Plant the tree. Film the process or take pictures of the tree.

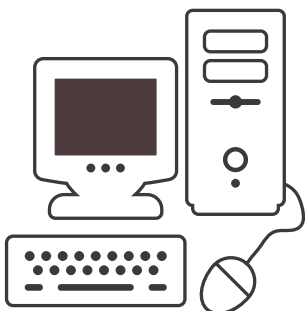


Warning: The police may not appreciate an illegally planted tree in some places, which is in fact an act of civil disobedience. In that case, remain calm. Plan in advance what you could say if such a situation arises (explain why you're doing it; decide if you'd be willing to remove the tree if the police ask you to). You could get taken to the police station and be fined for destruction of property.



step 4. Tell us about it!!

Upload your video onto www.youtube.com and tell us what you've done. Send the URL or embedded code to service@milieudefensie.nl or email us a nice photo. Don't forget to inform the media!



Good Luck!

